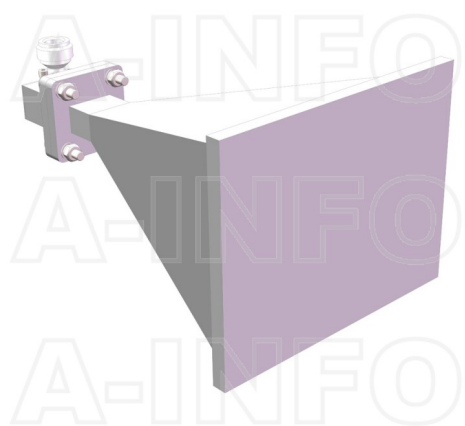


LB-75-20-C-NFSPO Standard Gain Horn Antenna 10-15GHz 20dB Gain N Type Female



Standard Gain Horn Antenna Operating From 10GHz to 15GHz With a Nominal 20dB Gain With N Type Female Connector

Product Information

SKU	LB-75-20-C-NFSPO
-----	------------------

Description

Standard Gain Horn Antenna LB-75-20-C-NFSPO, operating from 10 to 15GHz with a nominal 20dB gain and low VSWR 1.25:1 with N Type Female connector output. The model LB-75-20-C-NFSPO has uniform gain through its frequency span, providing efficient performance characteristics and directionality. It can handle 150W continuously and 3000W peak power. Constructed of lightweight corrosion-resistant aluminum, the horn comes with a specially designed weatherproof radome which provides excellent protection against the rain and dust but has very little loss across the full operating frequency band. This standard gain horn antenna is linearly polarized and ideally suited for EMI testing, direction finding, surveillance, antenna gain and pattern measurements and other applications.

Technical Specification

Electrical Specification	
Frequency, Min (GHz)	10
Frequency, Max (GHz)	15
Waveguide Type	Rectangular
Waveguide Size EIA WR	WR75
Gain, Typ (dBi)	20
Polarization	Linear
3dB Beamwidth, E-Plane, Typ (Deg.)	16
3dB Beamwidth, H-Plane, Typ (Deg.)	17
Cross Pol. Isolation, Typ (dB)	35
VSWR, Typ	1.25:1
Impedance, (Ohm)	50
Power Handling, CW, (W)	150
Power Handling, Peak, (W)	3000

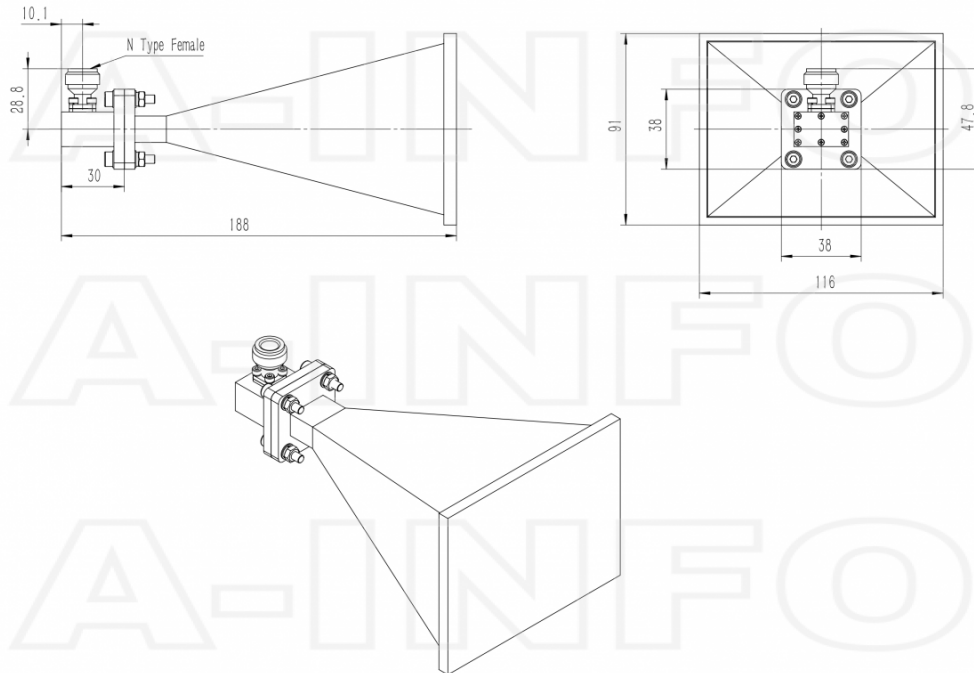
Interface	
Output Type	Coaxial
Connector	N Type
Connector Gender	Female
Mechanical Specification	
Figure	C Type
Body Material	Al
Finish	Chemical Conversion Coating, Gray Paint
Size, W (mm)	108
Size, H (mm)	83
Size, L (mm)	185
Weight, (kg)	0.26

Additional Information

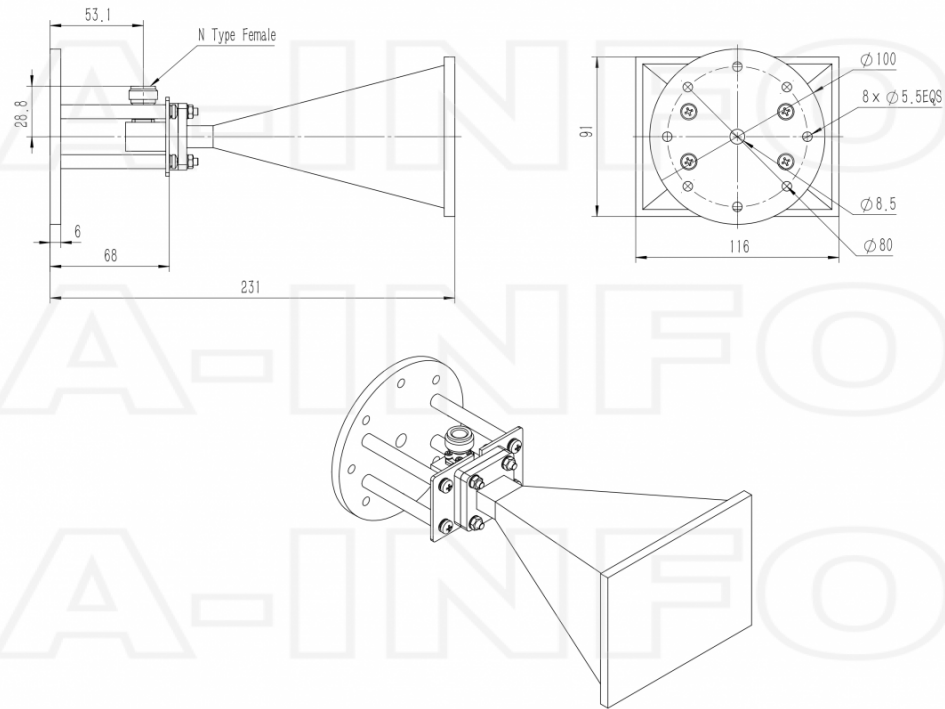
Application	Outdoor, Waterproof and Dustproof, Fixed	Solution for	Gain Reference Antenna Measurement Reflector Feed Far-field Measurement System Intergration Material Measurement
-------------	--	--------------	---

Outline Drawing

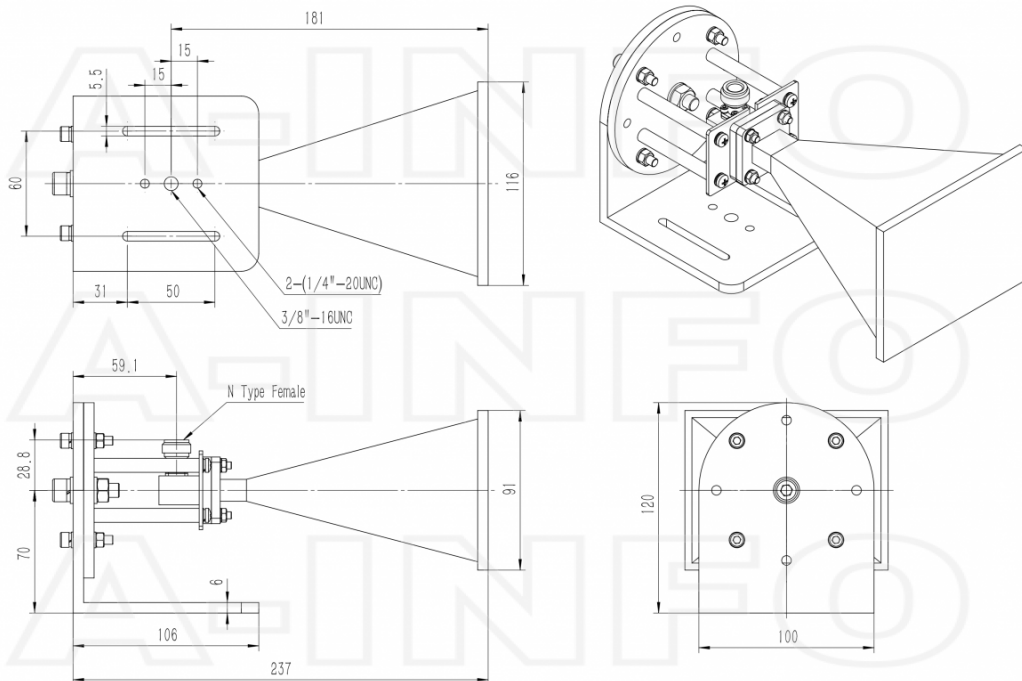
N Type Female Output with Radome (Option, P/N: LB-75-20-C-NFSPO, Outdoor Application)



N Type Female Output with Round Mounting Bracket & Radome (Option, P/N: LB-75-10-C-MB & LB-75-20-C-NFSP0, Outdoor Application)

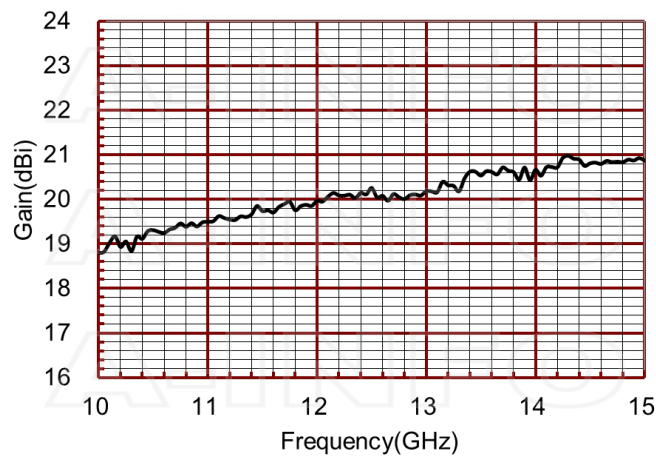


N Type Female Output with L Type Mounting Bracket & Radome (Option, P/N: LB-75-10-C-MBL & LB-75-20-C-NFSP0, Outdoor Application)

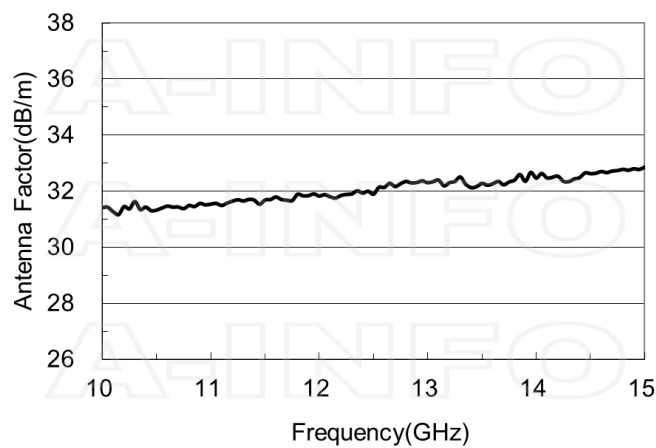


Typical Test Results

Gain



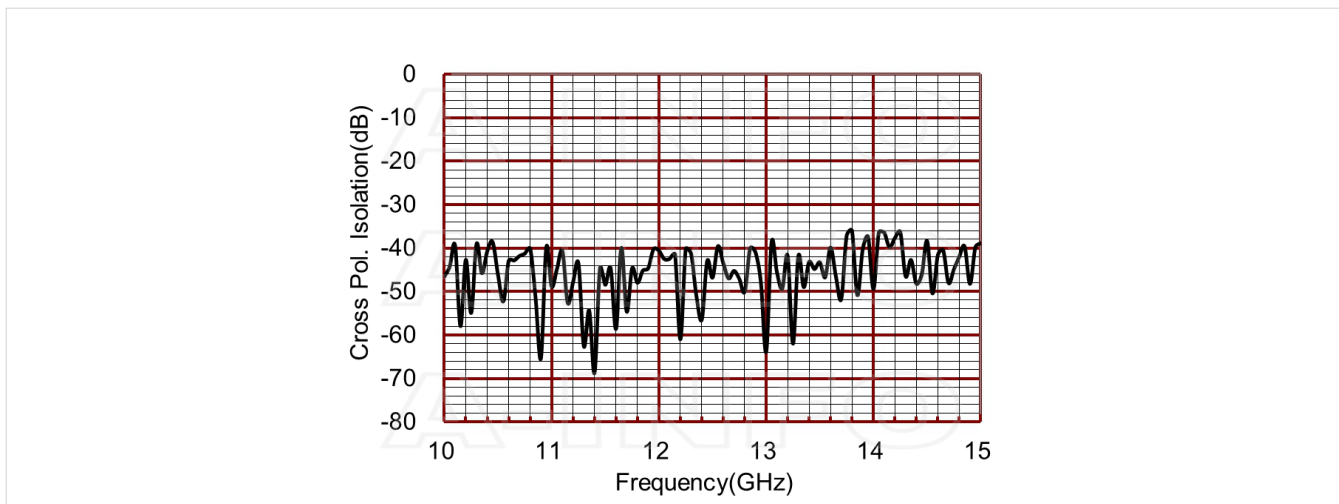
Antenna Factor



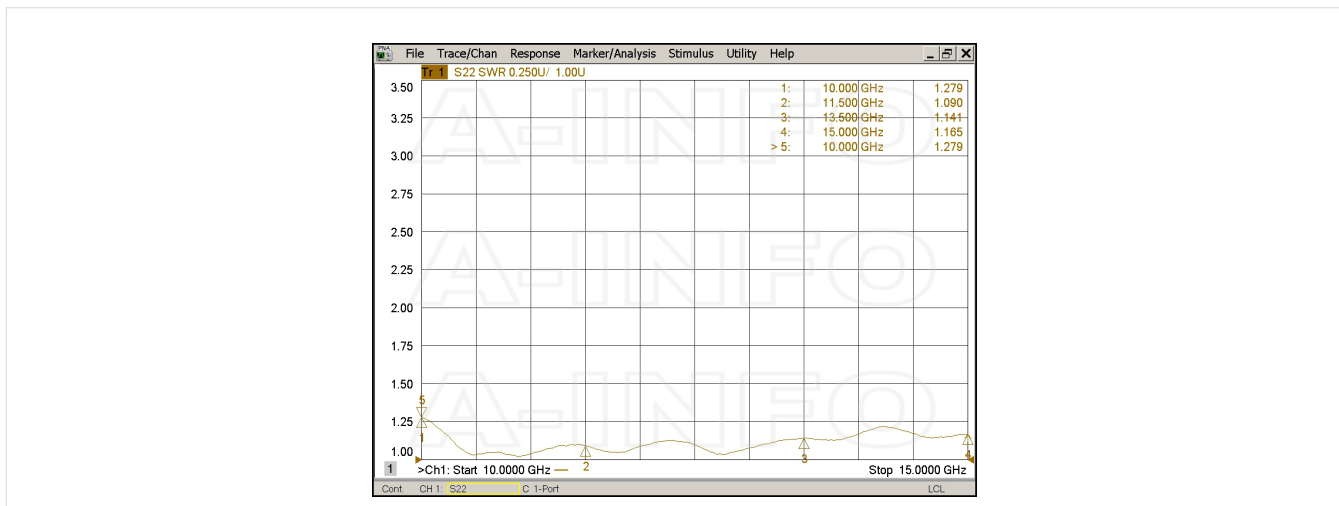
Antenna Factor (Table)

Frequency(GHz)	Gain(dBi)	Antenna Factor(dB/m)
10.00	18.79	31.42
10.50	19.31	31.33
11.00	19.50	31.54
11.50	19.73	31.69
12.00	19.97	31.83
12.50	20.25	31.89
13.00	20.19	32.30
13.50	20.53	32.28
14.00	20.66	32.47
14.50	20.81	32.63
15.00	20.87	32.86

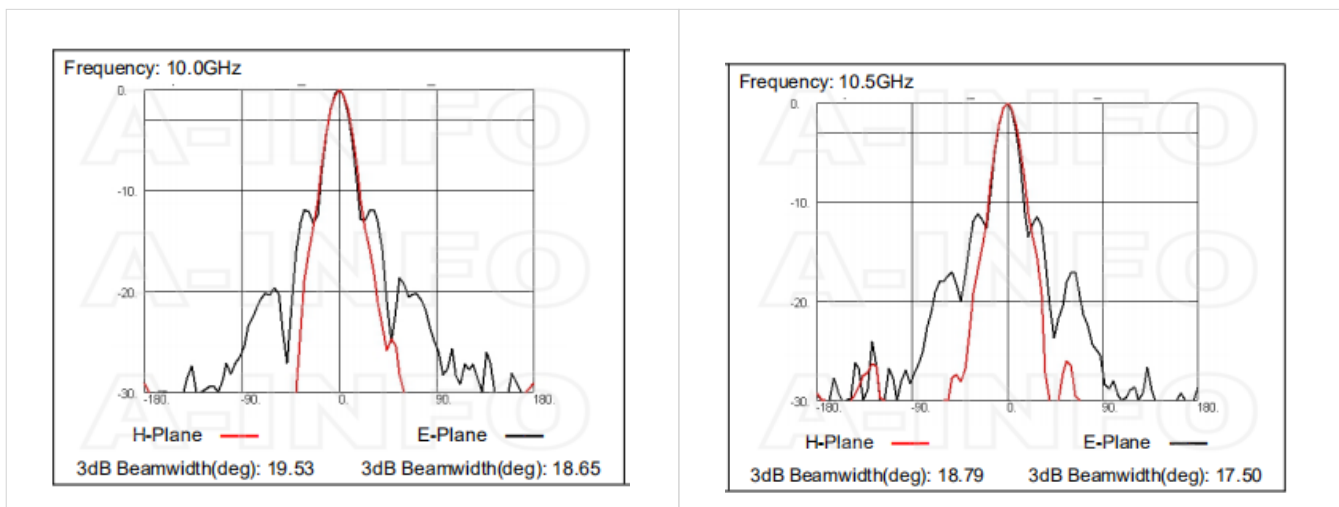
Cross Polarization Isolation

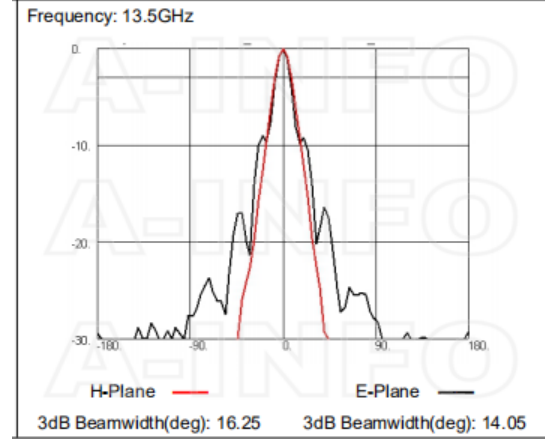
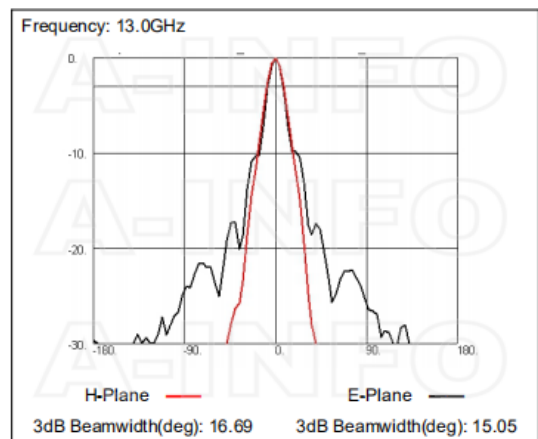
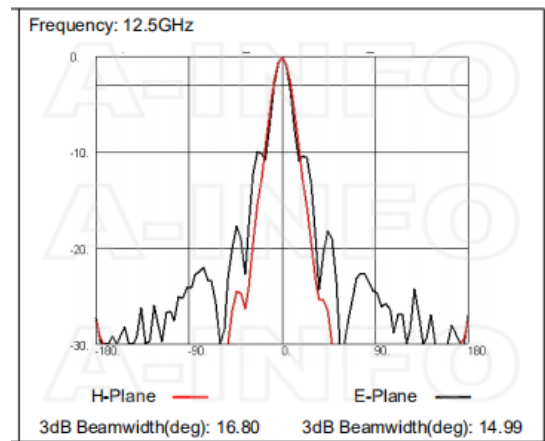
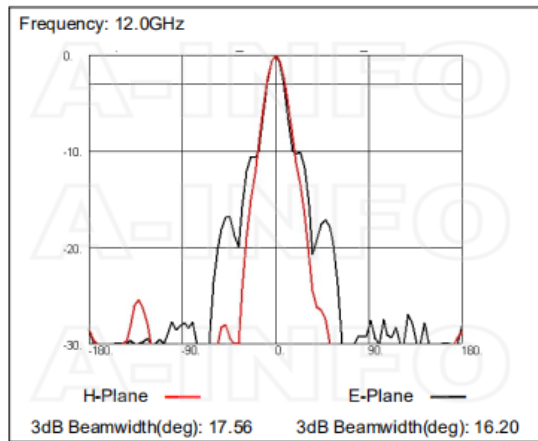
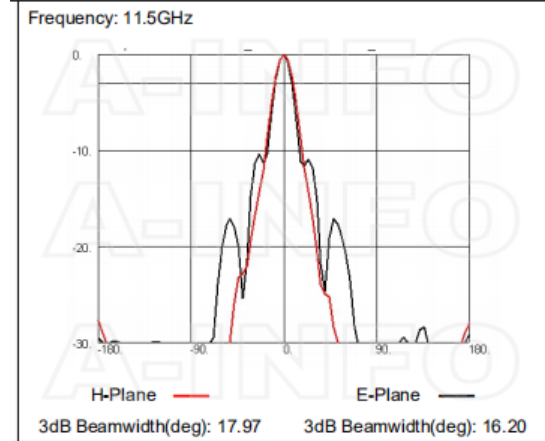
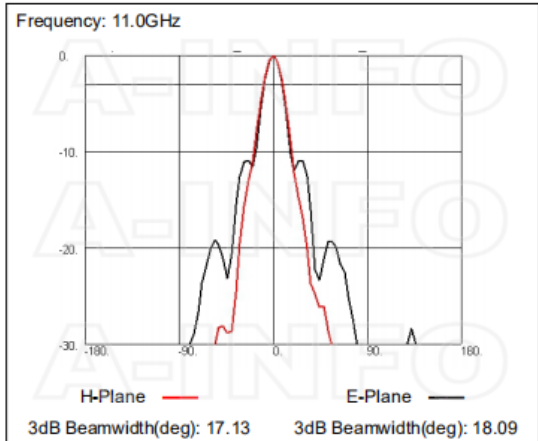


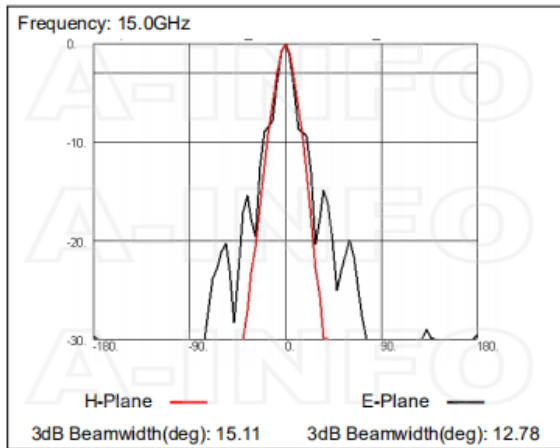
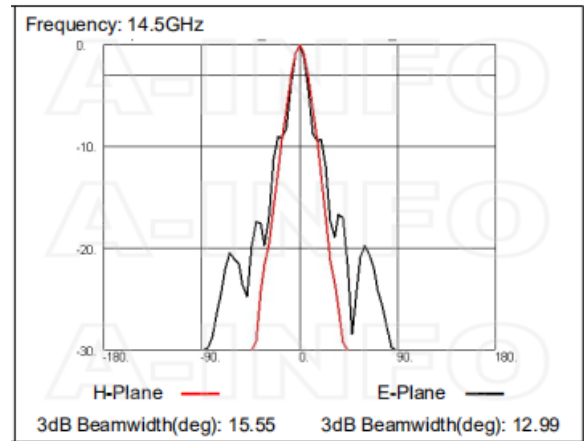
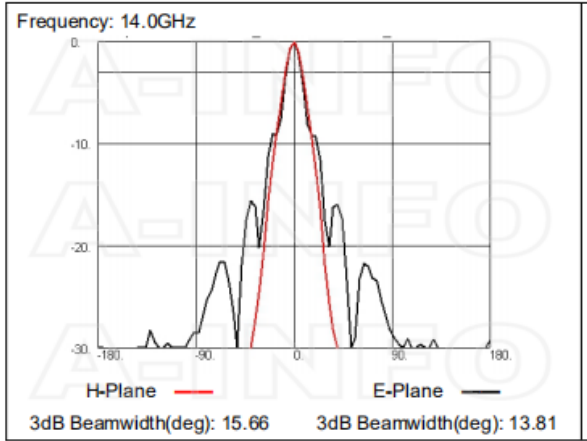
VSWR



Pattern







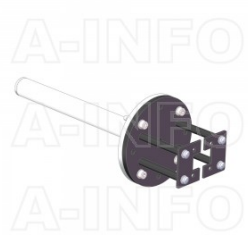
Related Products



LB-75-10-C-MB Round Type Mounting Bracket



LB-75-10-C-MBL L type mounting bracket



LB-75-10-C-MA Stinger Type Mounting Bracket



Tripod_15Kg Al Alloy Tripod



3033HL Wooden Tripod



3033QM Wooden Tripod Metalfree



Carrying Case_LB-75-20-C Al Alloy Carrying Case



M4x12 Hex_Pack WR51-WR112 Assembly Pack



M4x20 Hex_Pack WR112- WR51 Flange Assembly Pack



M4x30 Hex_Pack Log Periodic, DS Assembly Pack



NM-NM-A050-1000 Flexible Cable Assembly 1000mm DC-18GHz N Male to N Male



NM-NM-A050-1500 Flexible Cable Assembly 1500mm DC-18GHz N Male to N Male



NM-NM-A050-2000 Flexible Cable Assembly 2000mm DC-18GHz N Male to N Male



NM-NM-A050-3000 Flexible Cable Assembly 3000mm DC-18GHz N Male to N Male



NM-NM-A050-5000 Flexible Cable Assembly 5000mm DC-18GHz N Male to N Male



NM-NM-A050-10000 Flexible Cable Assembly 10000mm DC-18GHz N Male to N Male



NM-NM-A050-20000 Flexible Cable Assembly 20000mm DC-18GHz N Male to N Male



NM-NM-A100-1000 Flexible Cable Assembly 1000mm DC-18GHz N Male to N Male



NM-NM-A100-1500 Flexible Cable Assembly 1500mm DC-18GHz N Male to N Male



NM-NM-A100-2000 Flexible Cable Assembly 2000mm DC-18GHz N Male to N Male



NM-NM-A100-3000 Flexible Cable Assembly 3000mm DC-18GHz N Male to N Male



NM-NM-A100-5000 Flexible Cable Assembly 5000mm DC-18GHz N Male to N Male



NM-NM-A100-10000 Flexible Cable Assembly 10000mm DC-18GHz N Male to N Male



NM-NM-A100-20000 Flexible Cable Assembly 20000mm DC-18GHz N Male to N Male

Similar Products



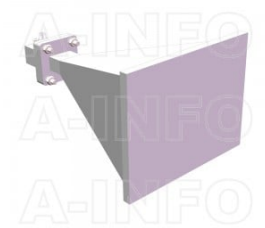
LB-75-20-A Standard Gain Horn Antenna 10-15GHz 20dB Gain Rectangular Waveguide Interface



LB-75-20-ASPO Standard Gain Horn Antenna 10-15GHz 20dB Gain Rectangular Waveguide Interface



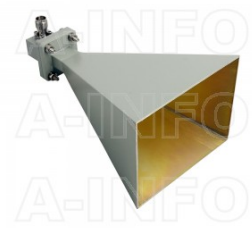
LB-75-20-C-SF Standard Gain Horn Antenna 10-15GHz 20dB Gain SMA Female



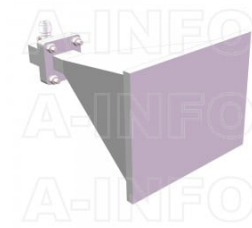
LB-75-20-C-SFSPO Standard Gain Horn Antenna 10-15GHz 20dB Gain SMA Female



LB-75-20-C-NF Standard Gain Horn Antenna 10-15GHz 20dB Gain N Type Female



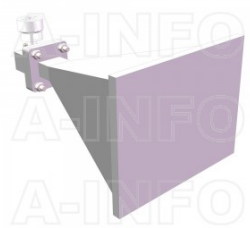
LB-75-20-C-TF Standard Gain Horn Antenna 10-15GHz 20dB Gain TNC Female



LB-75-20-C-TFSP Standard Gain Horn Antenna 10-15GHz 20dB Gain TNC Female



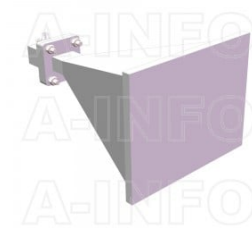
LB-75-20-C-7 Standard Gain Horn Antenna 10-15GHz 20dB Gain 7mm



LB-75-20-C-7SPO Standard Gain Horn Antenna 10-15GHz 20dB Gain 7mm



LB-75-20-C-3.5F Standard Gain Horn Antenna 10-15GHz 20dB Gain 3.5mm Female



LB-75-20-C-3.5FSPO Standard Gain Horn Antenna 10-15GHz 20dB Gain 3.5mm Female

About this Datasheet

<ul style="list-style-type: none"> ● Product Information Product Link: https://www.ainfoinc.com/lb-75-20-c-nfspo-standard-gain-horn-antenna-10-15-ghz-20db-gain-n-type-female Data subject to change without notice. © A-INFO INC. 2023. All Rights Reserved 	<ul style="list-style-type: none"> ● Contact Us Address:dd 60 Tesla, Irvine, CA 92618, USA Website: www.ainfoinc.com Email: sales@ainfoinc.com 	<ul style="list-style-type: none"> ● Phone & Fax Phone: +1-949-639-9688 +1-949-639-9608 Fax: +1-949-639-9670
---	---	--